

BALDOR® • RELIANCE 

Product Information Packet

CFSWDL3509

1HP,3450RPM,1PH,60HZ,56C,3524L,TEFC,F1,N

Part Detail							
Revision:	D	Status:	PRD/A	Change #:		Proprietary:	No
Type:	AC	Elec. Spec:	35WGL350	CD Diagram:	CD0648	Mfg Plant:	
Mech. Spec:	35E4732	Layout:	35LYE4732	Poles:	02	Created Date:	07-21-2017
Base:	RG	Eff. Date:	06-25-2018	Leads:	4#16 A PH 15" lead length,3#18 B PH dbl dip & bake,0#0 0 CDY		

Specs			
Catalog Number:	CFSWDL3509	KVA Code:	K
Enclosure:	TEFC	Lifting Lugs:	No Lifting Lugs
Frame:	56C	Locked Bearing Indicator:	Locked Bearing
Frame Material:	Stainless Steel	Motor Finish:	UNPAINTED
Output @ Frequency:	1.000 HP @ 60 HZ	Motor Lead Quantity/Wire Size:	@ AWG
Synchronous Speed @ Frequency:	3600 RPM @ 60 HZ		4 @ 16 AWG, A PH
Voltage @ Frequency:	115.0 V @ 60 HZ	Motor Lead Exit:	Ko Box
	230.0 V @ 60 HZ	Motor Lead Termination:	Flying Leads
XP Class and Group:	None	Motor Type:	3524L
XP Division:	Not Applicable	Mounting Arrangement:	F1
Agency Approvals:	UR	Power Factor:	80
	CSA	Product Family:	WD All SD Non-Encapsulated
Auxillary Box:	No Auxillary Box	Pulley End Bearing Type:	Sealed Bearing
Auxillary Box Lead Termination:	None	Pulley Face Code:	C-Face
Base Indicator:	Rigid	Pulley Shaft Indicator:	Standard
Bearing Grease Type:	Polyrex EM (-20F +300F)	Rodent Screen:	None
Blower:	None	RoHS Status:	ROHS COMPLIANT
Current @ Voltage:	11.600 A @ 115.0 V	Shaft Extension Location:	Pulley End

	5.800 A @ 230.0 V	Shaft Ground Indicator:	No Shaft Grounding
Design Code:	N	Shaft Rotation:	Reversible
Drip Cover:	No Drip Cover	Shaft Slinger Indicator:	No Slinger
Duty Rating:	CONT	Speed Code:	Single Speed
Electrically Isolated Bearing:	Not Electrically Isolated	Motor Standards:	NEMA
Feedback Device:	NO FEEDBACK	Starting Method:	Direct on line
Front Face Code:	Standard	Thermal Device - Bearing:	None
Front Shaft Indicator:	None	Thermal Device - Winding:	None
Heater Indicator:	No Heater	Vibration Sensor Indicator:	No Vibration Sensor
Insulation Class:	F	Winding Thermal 1:	None
Inverter Code:	Not Inverter	Winding Thermal 2:	None

Nameplate NP1951A13										
CAT.NO.	CFSWDL3509									
SPEC.	35E4732L350G1									
HP	1									
VOLTS	115/230									
AMP	11.6/5.8									
RPM	3450									
FRAME	56C				HZ	60			PH	1
SER.F.	1.25		CODE	K	DES	N		CLASS	F	
NEMA-NOM-EFF	68			PF	80					
RATING	40C AMB-CONT									
CC									USABLE AT 208V	
DE	6205				ODE	6205				
ENCL	TEFC		SN							
	SFA 13.8/6.9									

Parts List		
Part Number	Description	Quantity
SA346377	SA 35E4732L350G1	1.000 EA
RA334892	RA 35E4732L350G1	1.000 EA
EC1645B06	ELEC CAP 165V 2.0 X 4.3	1.000 EA
ES5502	115/40A,L ,CV ,165CO,.8*2.2*1.4,4-7-21	1.000 EA
11XW1032G06	10-32 X .38, TAPTITE II, HEX WSHR SLTD U	1.000 EA
35EP1940A05	FRONT TEFC 205 BRG (STAINLESS)	1.000 EA
RM1070A25	O-RING, VITON/FKM .070CS X 6.190ID	1.000 EA
HW4600G01	.984X1.499X.25 VITON SLICK SERIES LIP	1.000 EA
HW4600E99	25 X 42 X 6 AFX SEAL, GRAPHITE INFUSED V	1.000 EA
HW4500S33	1/8 NPT STAINLESS #304 SS PLUG	3.000 EA
HA4054	SHORT T-DRAIN FITTING, .125" N.P.T.	1.000 EA
HW5100A05	WVY WSHR F/205 & 304 BRGS	1.000 EA
35EP1935A02	PULLEY 56C/143-5TC ENCL 205 BRG	1.000 EA
RM1070A25	O-RING, VITON/FKM .070CS X 6.190ID	1.000 EA
HW4600G01	.984X1.499X.25 VITON SLICK SERIES LIP	1.000 EA
HW4600E99	25 X 42 X 6 AFX SEAL, GRAPHITE INFUSED V	1.000 EA
HW4500S33	1/8 NPT STAINLESS #304 SS PLUG	3.000 EA
HA4054	SHORT T-DRAIN FITTING, .125" N.P.T.	1.000 EA
RM1070A26	O-RING,4.5MM I.D.X1.5MM C.S. (VITON)	4.000 EA
35FH4005A39	IEC FH NO GREASER DEBURR/CLEAN - SS	1.000 EA
10XN1032FS06	HEX HD CAP SCREW 10-32 X 3/8 SS FOOD SAF	3.000 EA
35CB1510A01G	35 CB LID SINGLE PHASE MACHINED W/ FIGP	1.000 EA
10XN1032FS08	HEX HD CAP SCREW 10-32 X 1/2 SS FOOD SAF	6.000 EA
HW2502D13	SS KEY, 3/16 SQ X 1.375	1.000 EA

Parts List (continued)		
Part Number	Description	Quantity
HA7000A04	KEY RETAINER 0.625 DIA SHAFTS	1.000 EA
MJ5001A27	32220KN GRAY SEALER *MIN BUY 4 QTS=1GAL	0.005 QT
MJ5004A93	FOOD GRADE (H1 RATED) ANTISEIZE THRD COM	0.005 EA
WD1000A15	3-520132-2 AMP FLAG (4M/RL) 16-14AWG	2.000 EA
MJ1000A02	GREASE, MOBIL POLYREX EM - 124047	0.050 LB
WD5603A02	KIT, CLOSED-END LEAD SPLICE (18-14GA)	1.000 EA
HA7724	CAPACITOR CLAMP & SWITCH BRACKET FOR 35C	1.000 EA
51XW0832A07	8-32 X .44, TAPTITE II, HEX WSHR SLTD SE	2.000 EA
51XN1032A08	10-32 X 0.500 HX WS SL SR ZN	1.000 EA
34FN3002B01	EXTERNAL FAN, PLASTIC, .637/.639 HUB W/	1.000 EA
19XB0818S12	8-18X3/4 HXWS TYB HIGH-LOW	1.000 EA
HA3100FS25	THRUBOLT, 10-32 X 9.500 SS FOOD SAFE	4.000 EA
36PA1000	PKG GRP, PRINT PK1016A06	1.000 EA
MN416A01	TAG-INSTAL-MAINT no wire (1200/bx) 3/19	1.000 EA
HA5027A07	85XU1208S08 FACE DRAIN PINS BAGGED	1.000 EA
FE-0000002	ZRTG FE ASSEMBLY	1.000 EA
PE-0000002	ZRTG PE ASSEMBLY	1.000 EA

AC Induction Motor Performance Data

Record # 67393 - Typical performance - not guaranteed values

Winding: 35WGL350-R001	Type: 3524L	Enclosure: TEFC
-------------------------------	--------------------	------------------------

Nameplate Data				230 V, 60 Hz: High Voltage Connection	
Rated Output (HP)	1			Full Load Torque	1.516 LB-FT
Volts	115/230			Start Configuration	direct on line
Full Load Amps	11.6/5.8			Breakdown Torque	4.11 LB-FT
R.P.M.	3450			Pull-up Torque	3.53 LB-FT
Hz	60	Phase	1	Locked-rotor Torque	5.64 LB-FT
NEMA Design Code	N	KVA Code	K	Starting Current	39.5 A
Service Factor (S.F.)	1.25			No-load Current	3.55 A
NEMA Nom. Eff.	68	Power Factor	80	Line-line Res. @ 25°C	2.097 Ω A Ph 1.1004 Ω B Ph
Rating - Duty	40C AMB-CONT			Temp. Rise @ Rated Load	75°C
S.F. Amps	13.8/6.9			Temp. Rise @ S.F. Load	100°C

Load Characteristics 230 V, 60 Hz, 1 HP

% of Rated Load	25	50	75	100	125	150	S.F.
Power Factor	57	69	77	81	85	87	85
Efficiency	36.9	52.1	60.8	65.3	66.8	66.9	66.8
Speed	3564.8	3547.2	3529	3511.3	3485.8	3458.1	3486
Line amperes	3.96	4.63	5.38	6.19	7.28	8.44	7.28

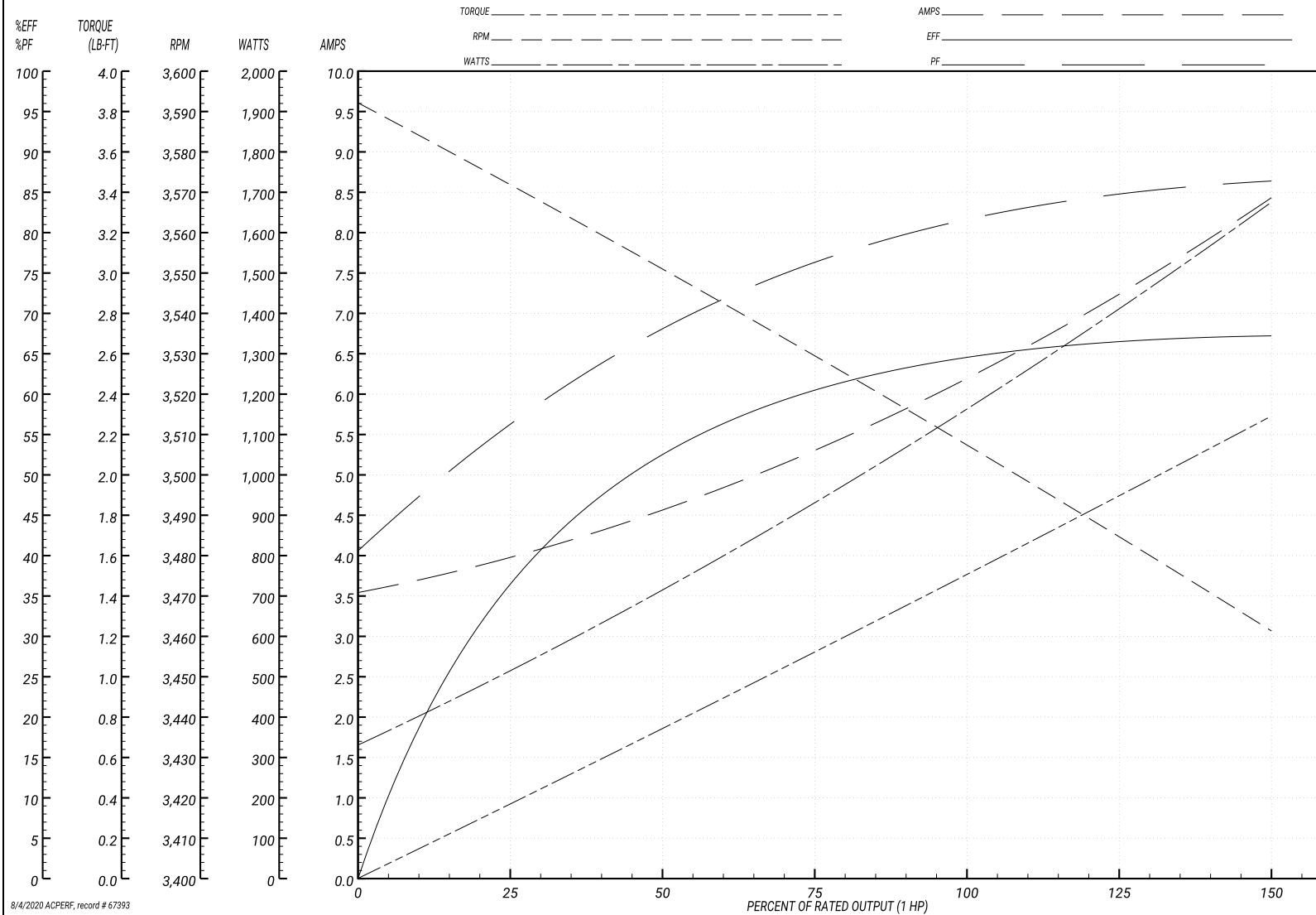
Performance Graph at 230V, 60Hz, 1.0HP Typical performance - Not guaranteed values

ABB Motors and Mechanical Inc.

WINDING # 35WGL350

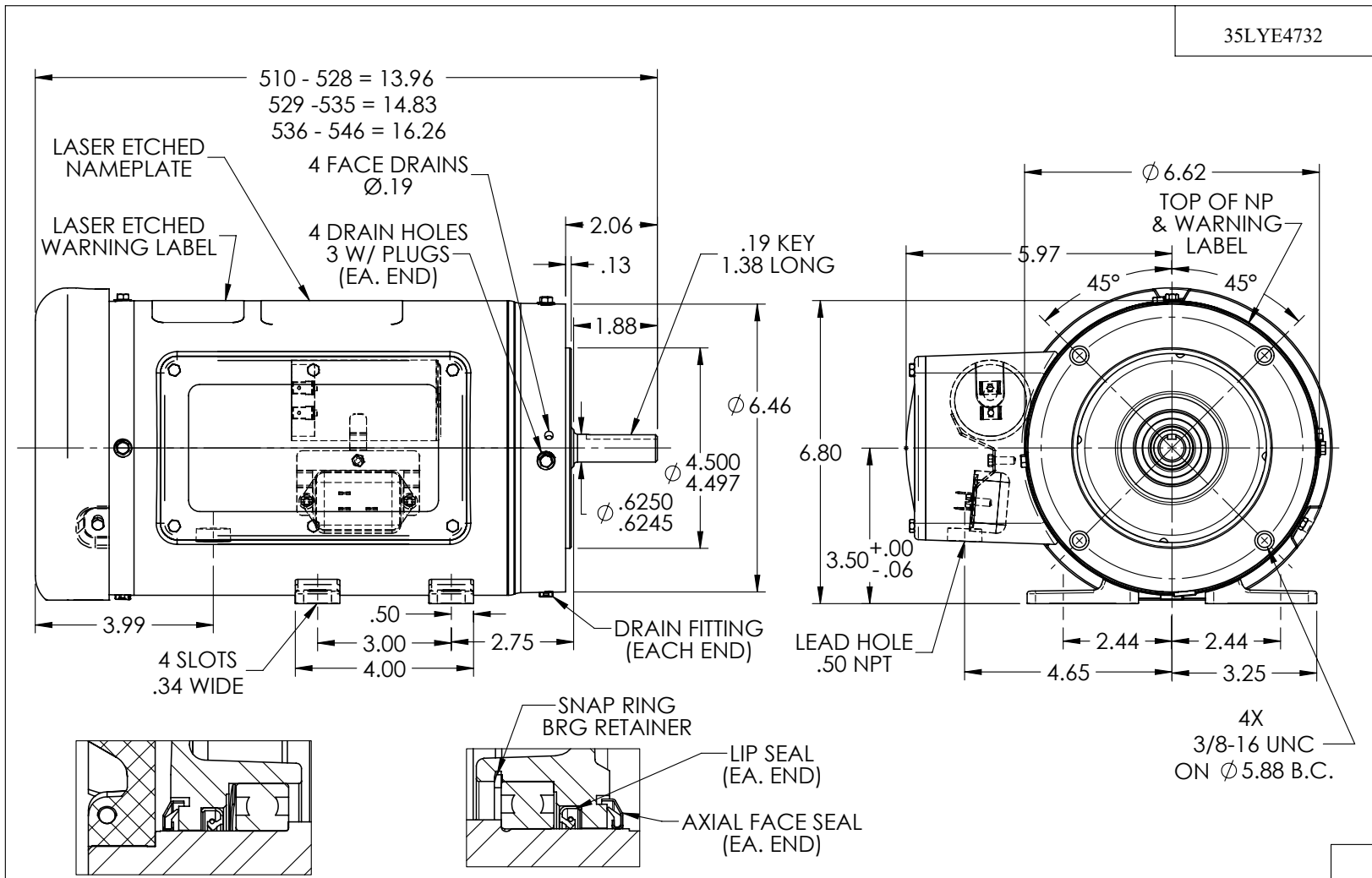
Typical performance - not guaranteed values.

1 HP 1 PH 60 HZ 3450 RPM 230 V 3524L
 TORQUES(LB-FT): PO=4.11 PU=3.53 LR=5.64 LRA=39.5



8/4/2020 ACPERF, record # 67393

35LYE4732



FRONT END DETAIL

PULLEY END DETAIL

CUSTOMER IS RESPONSIBLE FOR DETERMINING THAT BALDOR'S PRODUCT WILL PERFORM SUITABLY IN THE INTENDED APPLICATION

REV. DESC: NEW			
REV: -	VERSION: 00	REVISED: 03:46:49 07/17/2017	TDR: 000001000867
MODEL NO. 35LYE4732		REF: -	
BY: ENANGG0			

BALDOR

STD HORZ 56C TEFC 35L WD11/12

35LYE4732

CD0648

